



4 TREAD RECTANGLE STEP

CUSTOMER TAG NAME:

ORDER INFORMATION

QUOTE #: SO#:

PO#:

STEP ATTACHMENT

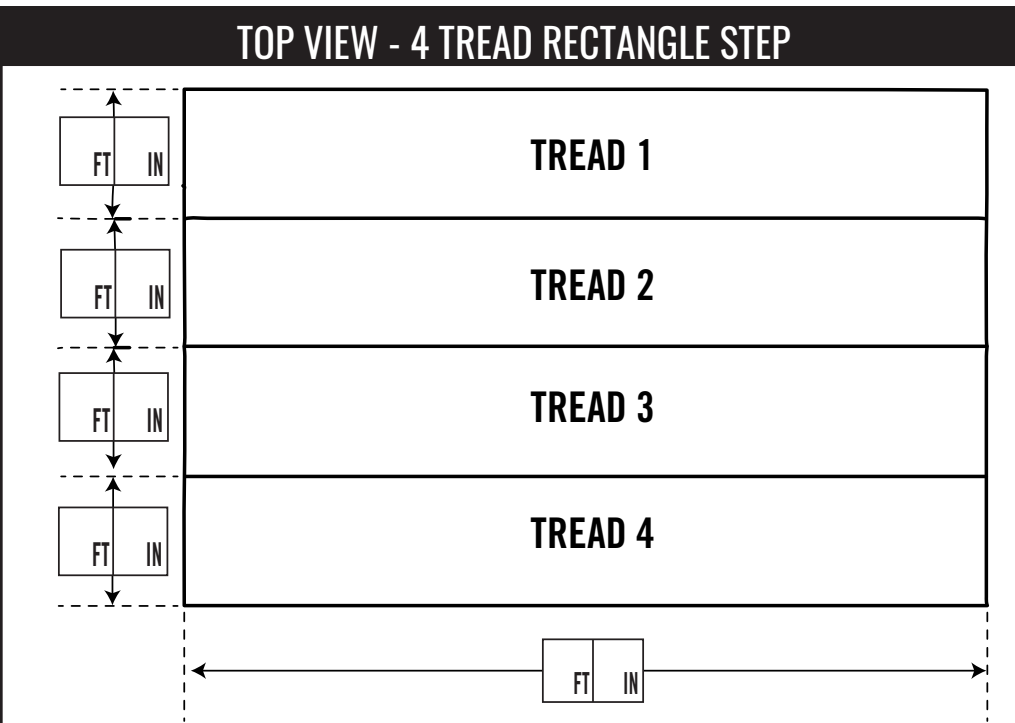
- NONE
- ROD POCKETS
- BEADING

MATERIAL


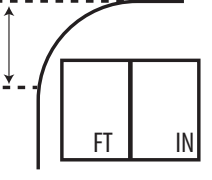
- SAME AS FLOOR
- SURE-STEP TEXTURE

LOCATION

- CENTER END SHALLOW
- OTHER (DRAW LOCATION)



STEP CORNER SIZE & SHAPE

- SQUARE
 
- RADIUS
 
- DIAGONAL
 