

CUSTOMER TAG NAME:

ORDER INFORMATION

QUOTE #: SQ#:

PO#:

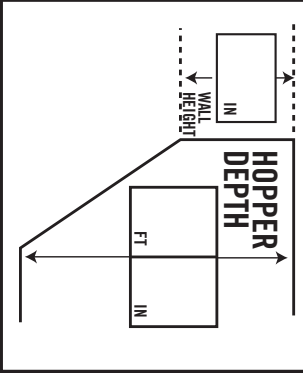
FIBERGLASS STEPS

YES -->  STRAIGHT  RADIUS  
LOCATION:  DRAW IN LOCATION

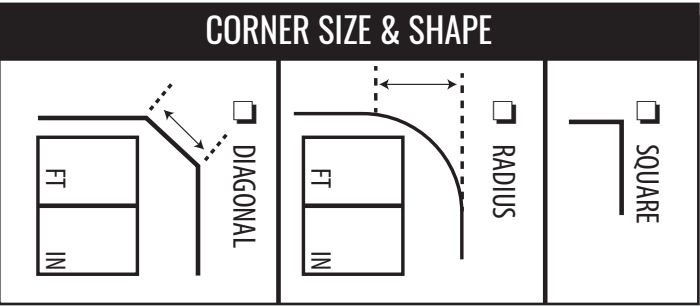
VINYL COVERED STEPS

YES --> NOTE: STEP MEASURING FORM REQUIRED  
LOCATION:  DRAW IN LOCATION

**DEPTH MEASUREMENTS**



ALL WIDTH MEASUREMENTS MUST ADD UP TO THIS NUMBER.



ALL LENGTH MEASUREMENTS MUST ADD UP TO THIS NUMBER.

